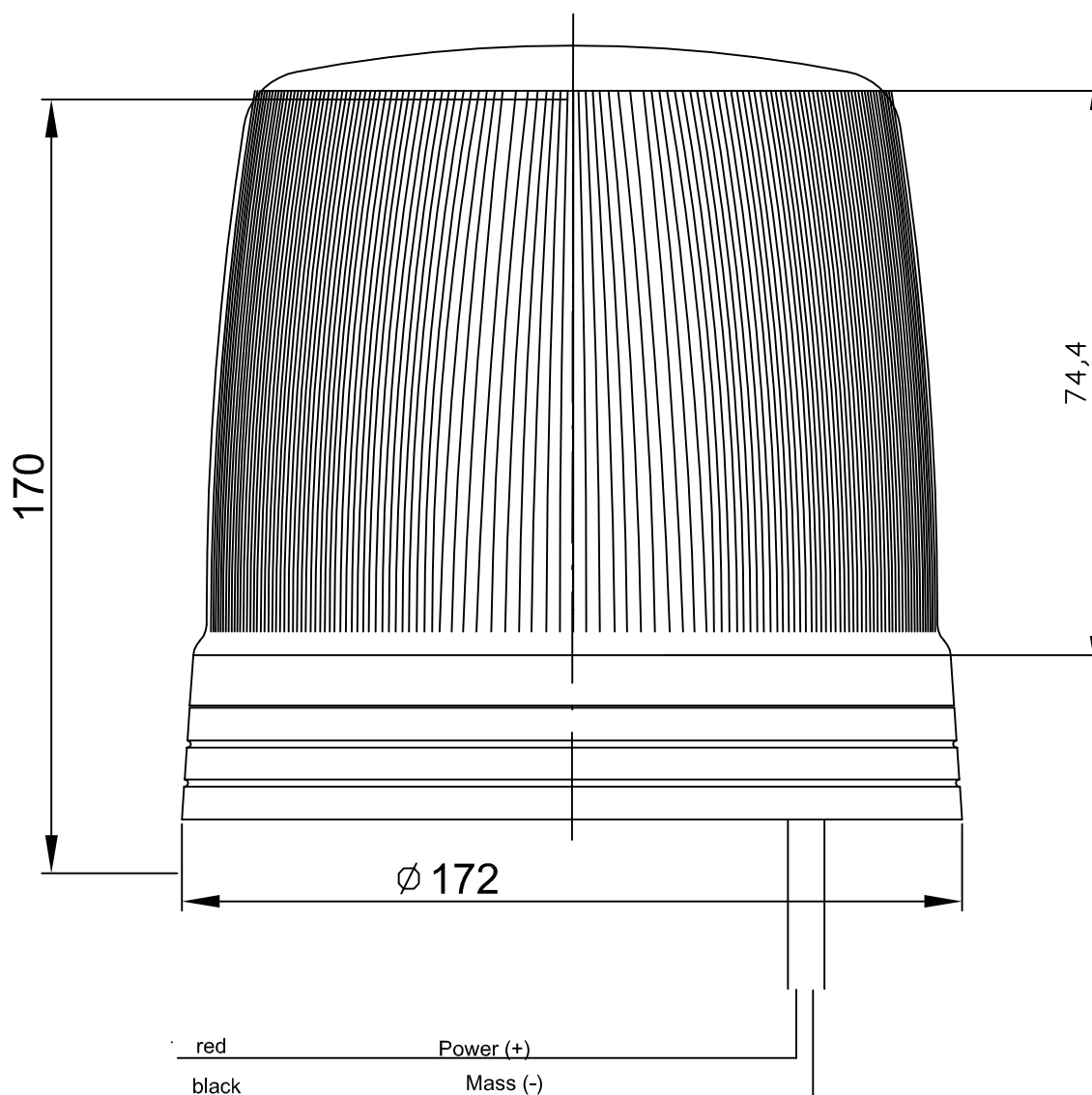


INSTRUCTION FOR INSTALLATION AND USE LED WARNING LIGHT LBL-D



GENERAL DESCRIPTION :

The LBL-D LED warning lamp is used as a warning light source of vehicles moving on the airport plate. Casing of the lamp consists of polyamide lamp base with the glass fibre and colored cover.

Inside of the casing is placed electronic flash unit, which construction consists of twelve super-bright 3W Leds, placed in the focuses of the special designed lenses ensuring the proper light distribution.

The working principle of the lamp is based on the emission of a very strong vibrating light flashes.

The special designed electronic system enables the supply of the lamp with both 12VDC and 24VDC electric car system as well as assures delivery indispensable voltages, which are needed to creation four-time flash about the proper effective luminous intensity value of the component flashes.

Electronic system of the lamp fulfils all the valid requirements of the UNECE Regulation No.10 concerning of electromagnetic compatibility.

The lamp meets the requirements of the CS-ADR-DSN - issue 2 ' in range the light distribution of obstacle lamps low intensity type D.

INSTALATION:

The lamp to be fastened only by means of the following sets of clamping Z-4 Z-5; Z-6; Z-9.

Detailed instructions for drilling holes and their locations can be found in the above sets.

Choosing a fixing kit depends on your needs.

In any case, the depth of entry into the lamp base three mounting screws M6 should not exceed 25mm.

NOTE: The lamp must be fixed in such a way that its base surface is parallel to the road surface.

DANE TECHNICZNE:

Supply voltage: 12 VDC and 24 VDC

Average current consumption: 1A at 12VDC or 0.5A at 24VDC

Flash frequency: 1,3 Hz

Light color: amber

Pattern of flashes: quadruple

Operating temperature range -20 ° C to + 50 ° C